



TULTEX FLAT FACEMASK

ANTI-MICROBIAL 3PLY WITH POCKET AND EAR LOOPS

PRODUCT DETAILS

- *These are not medical grade
- Anti-microbial fabric that inhibits growth of bacteria and fungi to keep it clean
- Available in white and black
- 100% 30/1 American cotton
- Soft and breathable fabric
- Washable and reusable - anti-microbial quality lasts 40 washes

CONSTRUCTION DETAILS

- 3 ply cotton construction with filter pocket and all around binding. Closed ear loops for perfect fit.

SIZE DETAILS

- Nose to chin - 4 1/3"
- Cheek to cheek - 9 3/4"
- Length of ear loops - 5 1/2"

WASH INSTRUCTIONS

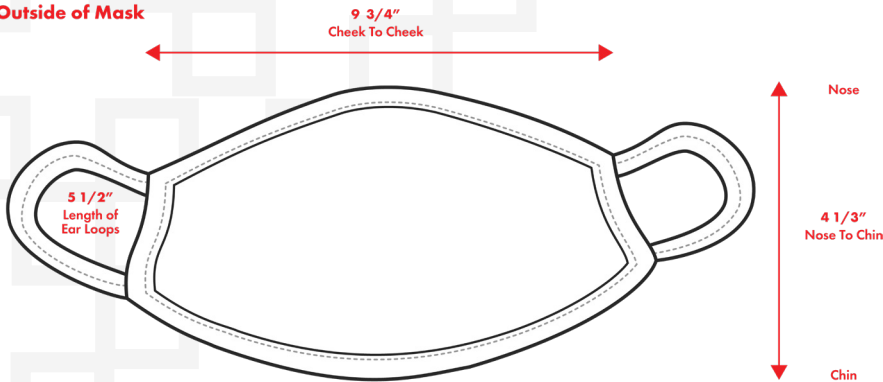
- Machine washed and tumble dried

PRINTING INSTRUCTIONS

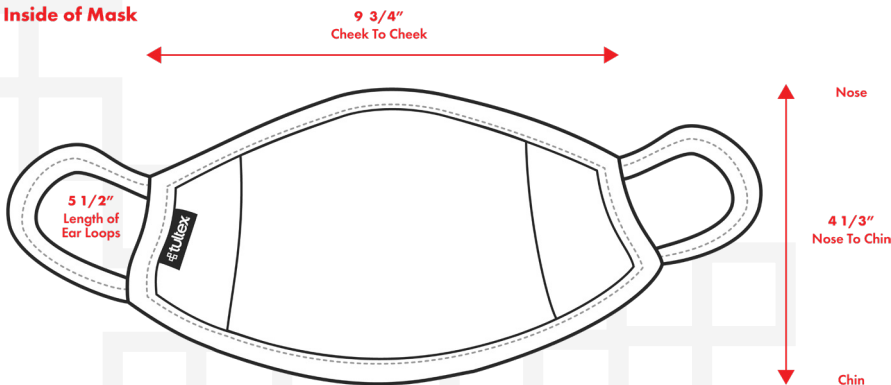
- Heat transfer
- Pad print
- Screen print
- Discharge print



Outside of Mask



Inside of Mask



Center for Disease Control (CDC) Advisory

CDC recommends wearing cloth face coverings in public settings where other social distancing measures are difficult to maintain (e.g., grocery stores and pharmacies) especially in areas of significant community-based transmission. CDC says face covers should be routinely washed depending on the frequency of use, and that machine washing should suffice in properly cleaning a face cover.

<https://www.cdc.gov/coronavirus/2019-ncov/prevent-getting-sick/cloth-face-cover.html>